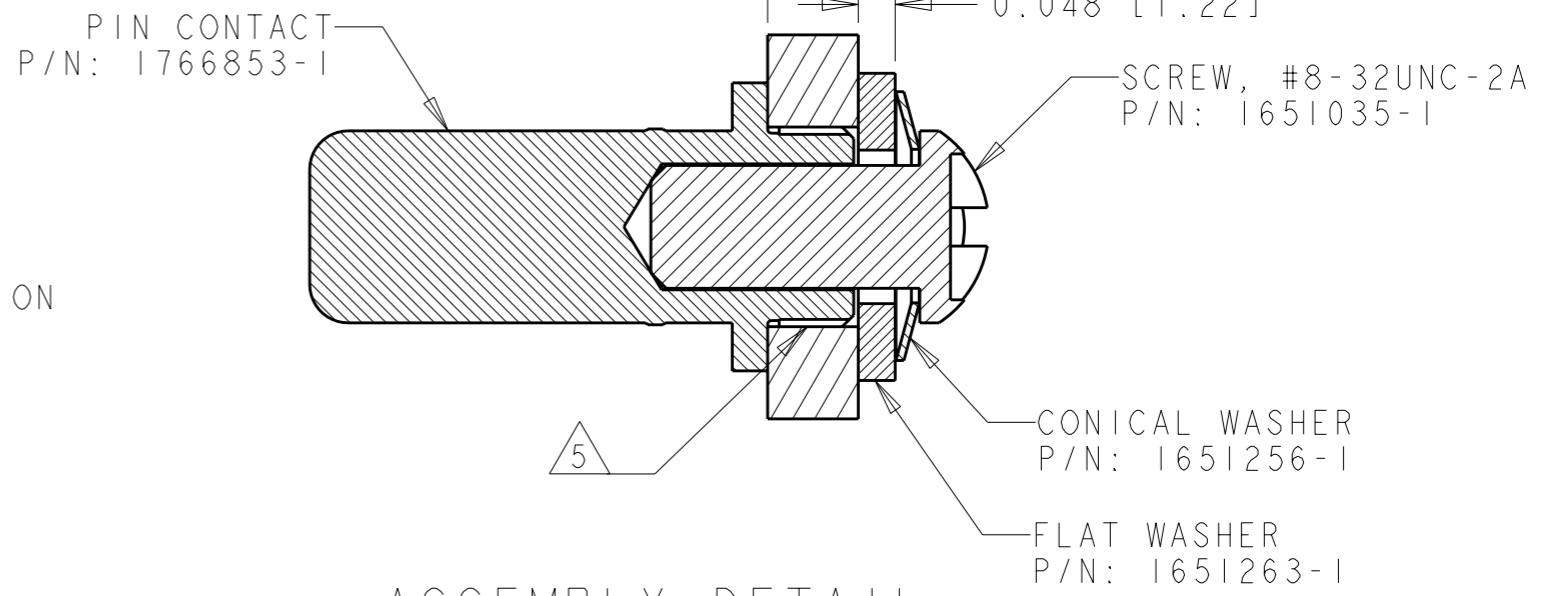
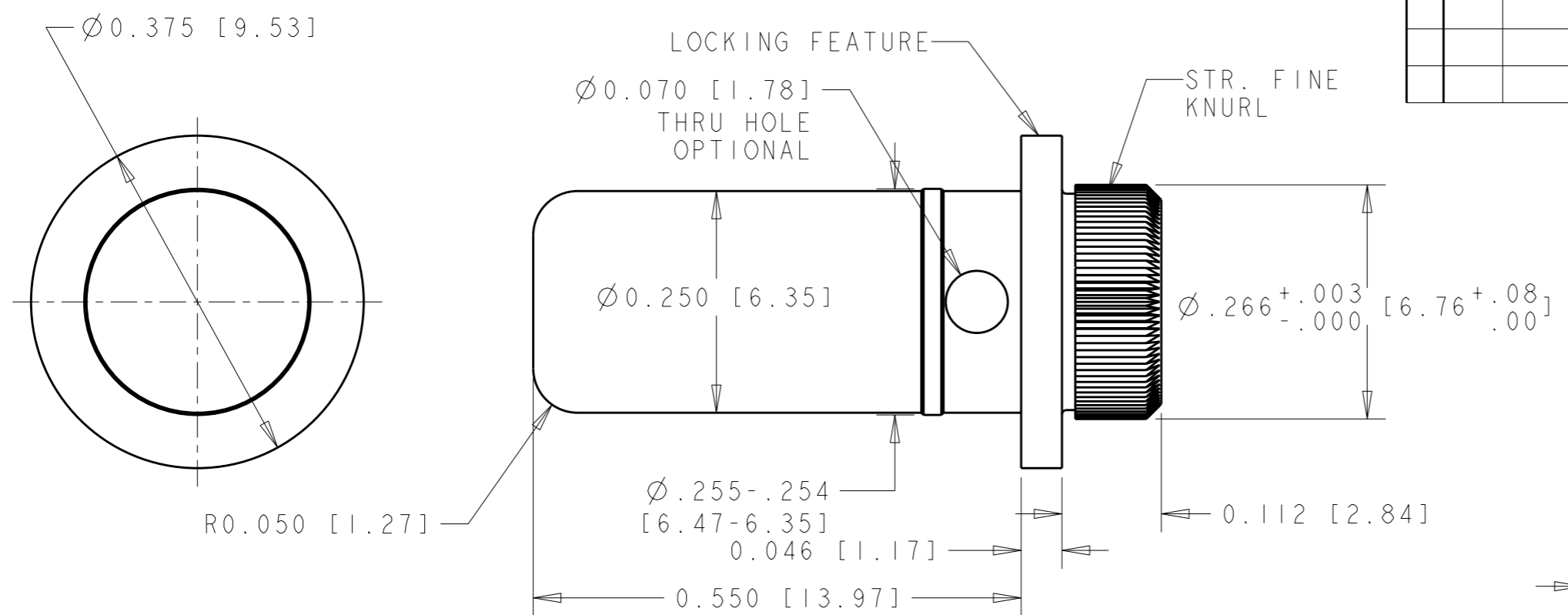


THIS DRAWING IS UNPUBLISHED. RELEASED FOR PUBLICATION 20
 © COPYRIGHT 20 BY TYCO ELECTRONICS CORPORATION. ALL RIGHTS RESERVED.

LOC	DIST	REVISIONS			
P	LTR	DESCRIPTION	DATE	DWN	APVD
GP	00	B	REVISED PER ECO-07-009904	01MAY2007	GIP DO



- PART NUMBER CHANGES AND/OR DESIGN CHANGES AFFECTING ITEM INTERCHANGEABILITY REQUIRE PRIOR TYCO APPROVAL AND AUTHORIZATION BY REVISION TO THIS DRAWING.
- ITEMS PROVIDED TO THIS SPECIFICATION SHALL BE IDENTIFIED ON THE CONTAINER WITH THE FOLLOWING INFORMATION: PART NUMBER & DATE CODE OF MANUFACTURE.

- 3 MATERIAL: PIN CONTACT: COPPER ALLOY
CONICAL WASHER: SPRING STEEL
SCREW & FLAT WASH.: STEEL
- 4 FINISH: PIN CONTACT: SILVER PLATE .00020 MIN THICK OVER NICKEL .000040 MIN THICK.
SCREW: NICKEL PLATE
CONICAL & FLAT WASH.: NICKEL PLATE

5 RECOMMENDED HOLE DIAMETER AFTER PLATING:
 $\varnothing .260^{+.003}/.001$ [6.60^{+.07}/_{-.03}].

6648224-1
 PART NUMBER

<small>THIS DRAWING IS A CONTROLLED DOCUMENT FOR TYCO ELECTRONICS CORPORATION IT IS SUBJECT TO CHANGE AND THE CONTROLLING ENGINEERING ORGANIZATION SHOULD BE CONTACTED FOR THE LATEST REVISION.</small>		DWN G.PETERS 01MAY2007 CHK D.ORRIS 01MAY2007 APVD S.FLICKINGER 01MAY2007		Tyco Electronics Tyco Electronics Harrisburg, PA 17105-3608	
DIMENSIONS: INCHES 		TOLERANCES UNLESS OTHERWISE SPECIFIED: 0 PLC ±- 1 PLC ±- 2 PLC ±.02[.5] 3 PLC ±.010[.25] 4 PLC ±- ANGLES ±.5		NAME PIN CONTACT, SIZ4 #4, SCREW MOUNT, LOCKING STYLE, PRESS FIT PRODUCT SPEC - APPLICATION SPEC - WEIGHT -	
MATERIAL -		FINISH -		SIZE A3	CAGE CODE 00779
CUSTOMER DRAWING				DRAWING NO C-6648224	RESTRICTED TO -
SCALE				SHEET	OF REV B